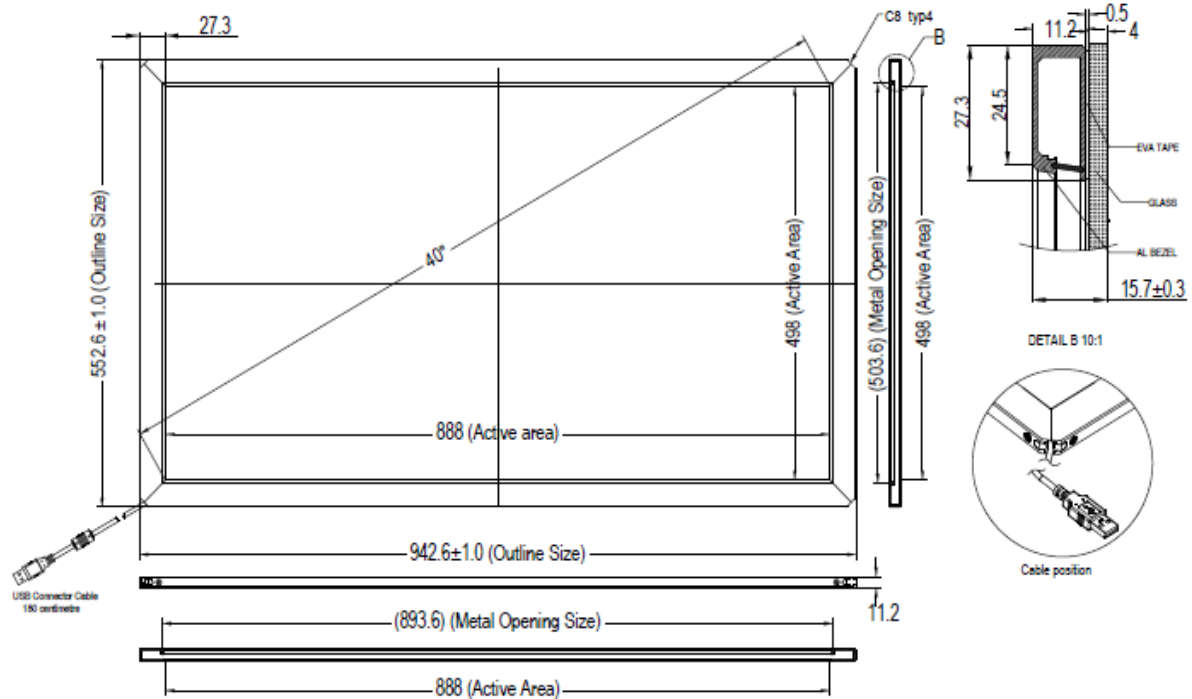


## 40" IR Touch Screen Panel



### Features

- ✓ Slim frame design, Good for glass integration.
- ✓ Add-on overlay for LED/LCD/Plasma TV or projection screen
- ✓ Single or dual touch operation
- ✓ Plug-and-Play in Windows 8 & 7 and no driver is required
- ✓ Nearly all kinds of stylus materials can be employed
- ✓ Vandal-proof and scrape-resistant
- ✓ Reliable and Long-lasting
- ✓ Size for 26/27, 32/37, 40/42/46, 50/52/55, 60/65/70/80/82/103/110/140
- ✓ OEM/ODM customization is available on request

“Flexible solutions for your business needs”



## Specification

### Model No

### 40 Size

Touch Activation Force	No minimum force
Input Method	Finger, Gloved hand or Stylus
Minimum Touch Object	7 mm
Touch Point Density	4096 x 4096
Response Time	100 RPS
Operating Temperature	-20 ~ 70°C / -4 ~ 158°F
Relative Humidity	90% or lower, non-condensing
Power Source	DC 5V from USB
Driver Support	Windows 7 & 8 / Vista / XP, Linux and Mac
Controller Interface	USB 2.0 HID interface
Frame Material	Aluminum frame with black coating
Certificate	CE, FCC, BSMI, MIT

## Oasis Touch Technologies

[sales@oasistouch.co.in](mailto:sales@oasistouch.co.in)

[www.oasistouch.co.in](http://www.oasistouch.co.in)

+91-8600888766

“Flexible solutions for your business needs”